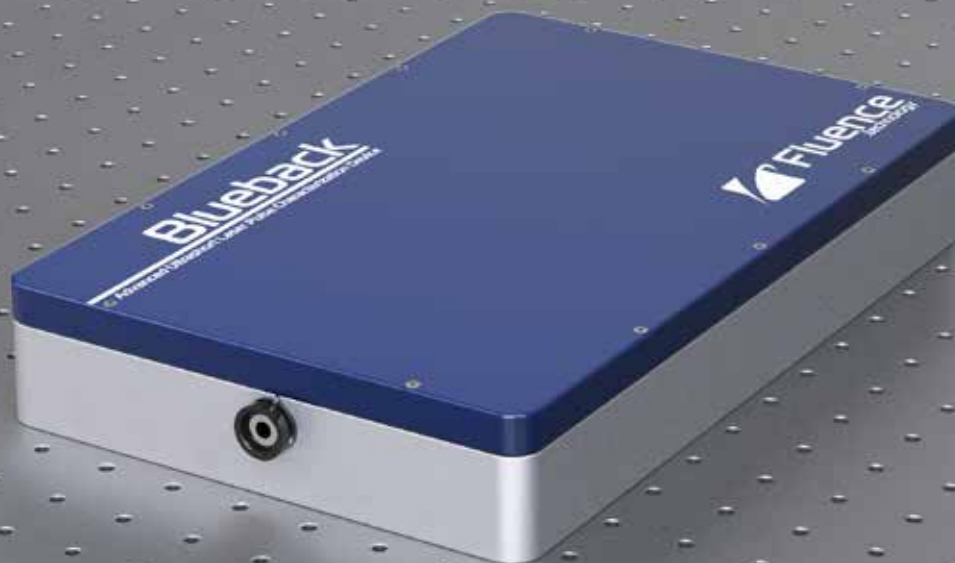


Ultrafast lasers that simply work

FOR INDUSTRY, SCIENCE AND MEDICINE

Blueback

Advanced Ultrashort Laser Pulse Characterization Device



Blueback is a real-time ultrashort laser pulse characterization device specifically engineered to provide a high-resolution measurement for ultrafast oscillators and amplifiers. It is an essential piece of equipment for everyone who depends on accurate information about properties of their ultra-short pulses. With Blueback you get more than just a single result. You can watch your pulse evolving in real time.

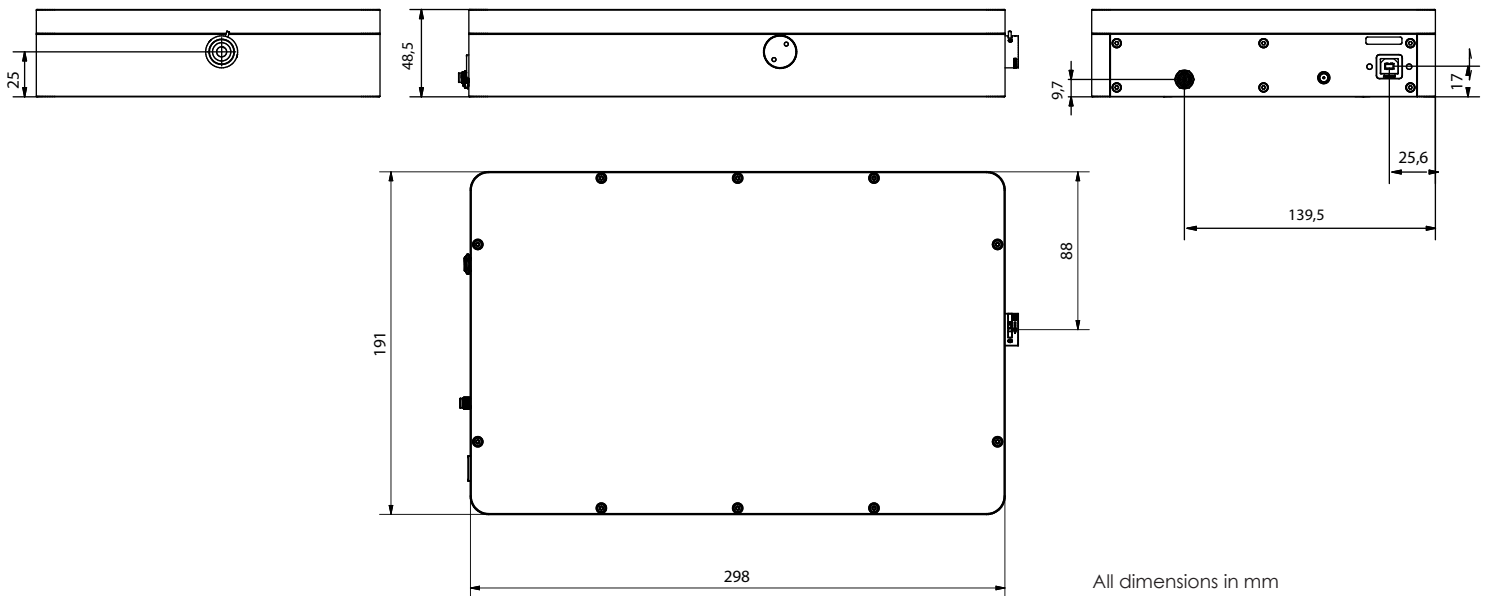
Technical specification:

Fourier transform-limited pulse duration	50 - 400 fs
Maximum chirped pulse duration	4 ps
Input central wavelength	1000 - 1060 nm (ask for other)
Repetition rate	1 kHz - 200 MHz
Sensitivity	> 0.5 nJ at 80 MHz >100 nJ at 1 kHz
Input polarization	Linear, vertical
Integrated high-resolution spectrometer (USB 2.0)	
User-friendly software for data acquisition, displaying pulse duration time and phase in the real time	
Optional automated tuning for various input wavelengths	

**Not exactly what you are looking for?
Get in touch with us and let us help you out.**

Physical specification:

Size (including spectrometer)	298 (L) x 191 (W) x 48.5 (H) mm ³
Weight	< 4 kg
Electrical	
Manual version	USB powered (5 V, 500 mA)
Automated version	Power adapter 5 V DC, < 2.5 A
Operating temperature	15 - 25 °C
Operating humidity	Non-condensing



All specifications are subject to change without prior notice due to continuous improvements.